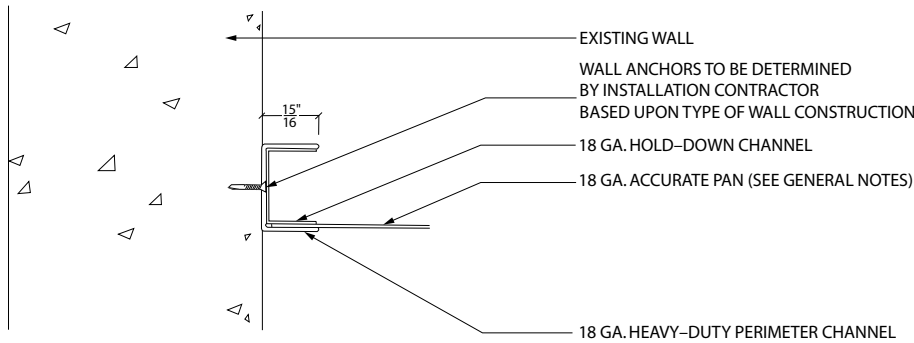
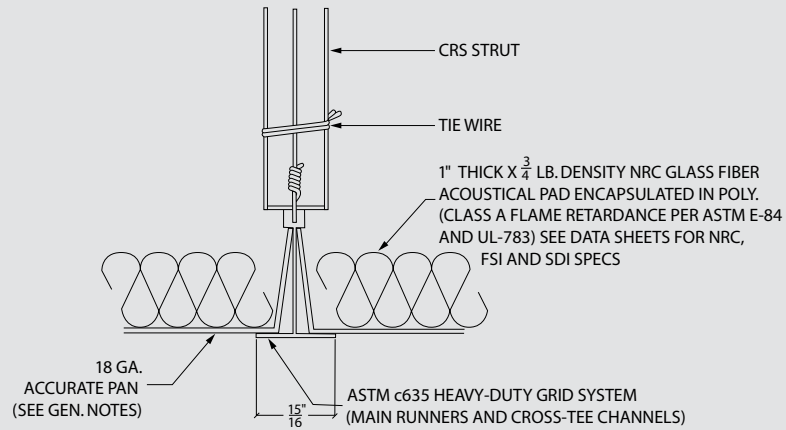


panel WALL AND CEILING SYSTEMS

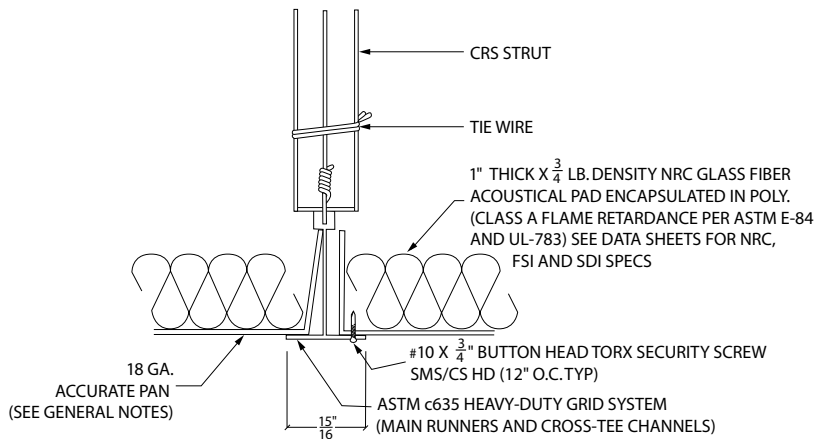
Accurate's panel wall and ceiling systems are manufactured from 18-gauge galvanized, cold-rolled steel. The panels can be perforated for reduced noise and/or increased HVAC flow. Each panel is secured for tamperproof installation within a rigid squarebulb-exposed T-grid. Light panels and HVAC vents are also locked down to prevent tampering or access.



wall molding detail



typical cut-through panel ceiling



access panel detail